

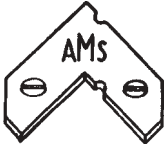
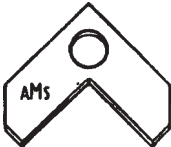


Hardware & Hanging Metal Frame Hardware


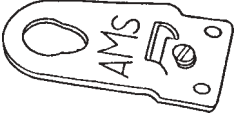
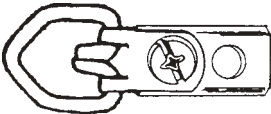


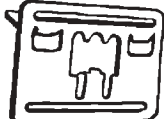
Section C

Page 1

Angles

	Stock #	Description	Quantity
	10100	Tapped Angles - comes with large premounted slotted screws. To be used with #10112 backing plate angles. (400/bag)	Bag
	10108	Polybagged Hardware Set - comes with 4 tapped and 4 backing angles, 8 spring clips, 2 Euro hangers and 4 bumpers. Ideal for Do it Yourself framing or chops.	Each
	10110	Polybagged Hardware Set - comes with same as above item #10108 but with Euro Hangers.	Each
	10112	Backing Plate Angles - to be used with the standard tapped angle. They have a hole to reduce the weight for shipping. (400/bag)	Bag

Hangers: Metal Frames

	10120	Snap Hangers - the standard "butterfly" type. Snaps in after the frame is assembled. (200/bag)	Bag
	10130	Euro Screw Hanger - for all mouldings so the wire can be easily slipped through the opening, or on small frames as a single hanger in the top channel to hang on standard wall hooks. Inserts after the frame is assembled. (200/bag)	Bag
	10131	Universal D-Ring Hanger - ideal for wide style mouldings where you cannot slip the wire easily under the regular screw-type hanger. This hanger inserts after the frame is assembled. (200/bag)	Bag
	10133	Metal Sawtooth Hanger 3" Wide - the original sawtooth hanger that inserts with sawtooth tool or slot head screwdriver and fits inside back of channel. (100/bag)	Bag
	10134	Metal Sawtooth Insert Tool - for inserting the above #10133 3" Metal Sawtooth Hanger.	Each
	10135	Snap-in Sawtooth Hanger for Metal Frames - this snap-in hanger is ideal for frames not needing wire and side channel hangers. (100/bag)	Bag



Hardware & Hanging Accessories & Hangers

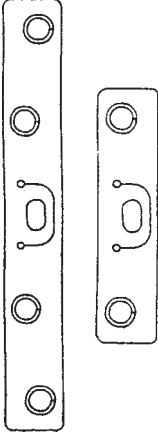


Section C

Page 2

Accessories: Metal Frames

	Stock #	Description	Quantity
	10140	3/8 Spring Clips - heat treated to give them lots of spring. The spring has rounded corners making it much easier to insert and, if necessary, to remove. (1000/bag)	Bag
	40470	Fletcher Spring Mate Clip Remover - easily removes spring clips.	Each
	10146	Cork Bumper Pads - a sturdy, adhesive back bumper. (1000/roll)	Roll
	10150	Sponge Bumper Pads - an economy sponge bumper that is used to prevent the frame from scratching the wall. (2000/bag)	Bag
	10151	3 M Bumpon Round Top - round and clear with an adhesive on the back to fit on the corner of frames. (1000/box)	Box
	10152	Bumpers Round Top - round and clear with an adhesive on the back to fit on the corner of frames. (968/box)	Box

Hangers: Wood Frames

	10170	2" Super Steel Hangers for wood frames - developed for the narrow FrameMica frame, but used where you can be confident the hanger will not pull out of the moulding. Packaged in a polybag with two plates and four Phillips head screws. Minimum order of 20 sets. (1 set/bag)	Bag
	10171	2" Super Steel Hangers, Bulk - package of 100 sets of hangers. Phillips head screws sold separately. (200/bag)	Bag
	10172	3.5" Super Steel Hangers for Wood Frames - with four holes in each plate. Packaged in a polybag with two plates and eight Phillips head screws. Minimum order 20 sets. (1 set/bag)	bag
	10173	3.5" Super Steel Hangers, Bulk - package of 100 sets of hangers. Phillips head screws sold separately. (200/bag)	Bag
	10175	No-nail 1" Sawtooth - for wood frames. (100/bag)	Bag
	10176	No-nail 2" Sawtooth - for wood frames. (100/bag)	Bag
	10177	1 1/4" Small Sawtooth Hangers - complete with nails. (100/bag)	Bag
	10178	2" Large Sawtooth Hangers - complete with nails. (100/bag)	Bag



Hardware & Hanging Screws and Hangers

Section C


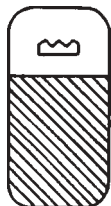
Page 3

Hangers & Screws: Wood Frames

	Stock #	Description		Quantity
	10148	Screw - 3/8" x 8	Round Head, Robertson	(100/box) Box
	10154	Screw - 1/2" x 8	Round Head, Robertson	(100/box) Box
	10155	Screw - 1/2" x 5	Flat Head, Robertson	(200/bag) Bag
	10156	Screw - 1/2" x 6	Round Head, Robertson	(200/bag) Box
	10157	Screw - 5/8" x 8	Round Head, Robertson	(100/box) Box
	10158	Screw - 3/4" x 8	Round Head, Robertson	(100/box) Bag
	10160	D-Ring - single hole small, plated.		1 1/16" (200/bag) Bag
	10161	D-Ring - nickel plated extra small.		1" (200/bag) Bag
	10162	D-Ring - single hole, medium, plated.		1 1/4" (200/bag) Bag
	10163	D-Ring Mirror Style - two hole, plated.		1 3/4" (200/bag) Bag
	10164	D-Ring Mirror Style - single hole, heavy duty, mirror style hanger, plated.		1 5/8" (50/bag) Bag
	10165	D-Ring Mirror Style - two hole, heavy duty, mirror style hanger, plated.		2" (50/bag) Bag
	10166	D-Ring Mirror Style - three hole, heavy duty, style hanger, plated.		3 1/2" (50/bag) Bag
	10167	D-Ring - single hole, nickel plated, small.		1" (200/bag) Bag
	10168	No. 8 Plated Econo Hanger - for use on wood frames and uses 1/2" x #6 Round Head Robertson screws.		1" (200/bag) Bag
	10169	D-Ring - two hole, nickel plated, small.		1" (200/bag) Bag




Foam Board & Dry Mount Board Hangers

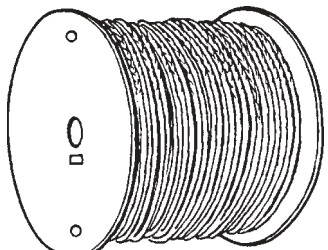
Stock #	Description	Quantity
	10220 Metal Foam Board Kwik Hanger - four barbs insert into the board and then it is locked into place with one reverse locking barb. Can be used on 3/16" or thicker board.	Bag (100/bag)
	10222 Plastic Adhesive Sawtooth Hanger (Small) - a 1 1/2" x 3" peel and stick hanger suitable for foam board, prints mounted on flaw board and shrinkwrapped prints. On large prints we recommend fastening a piece of Flat Back Tape as a safety measure (see Section E, page 6 for Flat Back Tape).	Bag (100/bag)

Super-SoftStrand Plastic Coated Stainless Steel Wire

This stainless steel coated wire is easier to wrap than braided and plastic coated galvanized wire and does not creep out the end of the plastic cover like other coated wires. Do not be surprised by the thinness of the wire, stainless steel is much stronger than galvanized steel wire. The wire will not oxidize or mark walls and the plastic coating prevents slippage on the picture hook. It is packaged on 2.8 pound spools holding about the same footage as the equivalent product in braided galvanized wire. Note that stronger sizes are available to hold up to 100 pound frames. The table below shows roll lengths as well as the breaking strength of each weight and type of wire. Note that due to the loss of strength from bending the wire and to give an adequate safety factor, the breaking strength is not the same as the weight of a frame that can be supported by the wire.

Stock #	Wire Type	Footage on roll	Breaking Strength	Frame Weight	Quantity
	11922 Super-SoftStrand #2	1500 ft	37 lbs	15 lbs	Roll
	11923 Super-SoftStrand #3	1125 ft	50 lbs	20 lbs	Roll
	11924 Super-SoftStrand #4	850 ft	62 lbs	25 lbs	Roll
	11925 Super-SoftStrand #5	500 ft	107 lbs	43 lbs	Roll
	11926 Super-SoftStrand #6	275 ft	150 lbs	60 lbs	Roll
	11928 Super-SoftStrand #8	125 ft	250 lbs	100 lbs	Roll

Regular Galvanized Wire

	11911 #1 Galvanized Wire	2100 ft	34 lbs	8 lbs	Roll
	11912 #2 Galvanized Wire	1450 ft	51 lbs	12 lbs	Roll
	11913 #3 Galvanized Wire	1050 ft	68 lbs	17 lbs	Roll
	11914 #4 Galvanized Wire	900 ft	85 lbs	21 lbs	Roll
	11916 #6 Galvanized Wire	640 ft	119 lbs	30 lbs	Roll
	11918 #8 Galvanized Wire	490 ft	160 lbs	40 lbs	Roll



Hardware & Hanging Screw Eyes & Hooks

Section C


Page 5

Screw Eyes

Stock #	Description	Quantity
---------	-------------	----------

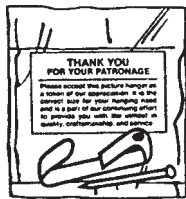
We stock standard frame industry screw eyes. These are recognized by their shorter and larger diameter shank. They penetrate the wood easier and hold in softer woods better than the smaller shank screw eyes and do not tend to break as easily in hardwood moulding as do the thinner shank eyes. For your convenience we have marked the cross-over numbers for the same length thinner screw eyes.

Actual Size

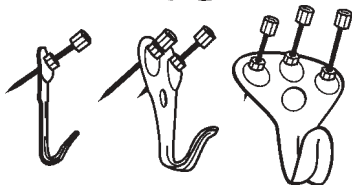
	10180	Screw Eye #210 1/2 Equivalent to B-4, C-2	1" overall	(200/box)	Box
	10182	Screw Eye #211 1/2 Equivalent to B-2	15/16" overall	(200/box)	Box
	10184	Screw Eye #212 1/2 Equivalent to A-2	3/4" overall	(200/box)	Box
	10186	Screw Eye #214 1/2 Equivalent to A-1	5/8" overall	(200/box)	Box
	10188	Screw Eye #216 1/2 Equivalent to A-1 1/2	9/16" overall	(200/box)	Box

Mini Bag Hooks and Bulk Picture Frame Hooks

We stock standard picture frame hooks in two packages; Mini Bag and Bulk. The handy mini-polybag is an excellent way at a minimal cost to say thank you to your customer. Each Mini Bag contains one complete picture frame hook in a bag that is printed with the words "Thank You for Your Patronage". We also stock a popular European Style brass hanger.



Mini Bag Hooks			
11610	10 lb Mini Bag - Thank You Package	(100/box with nails)	Box
11620	20 lb Mini Bag - Thank You Package	(100/box with nails)	Box
11630	30 lb Mini Bag - Thank You Package	(100/box with nails)	Box
11650	50 lb Mini Bag - Thank You Package	(100/box with nails)	Box



European Style Brass Hooks			
11670	30 lb Bulk Picture Frame Hooks	(100/box with nails)	Box
11680	50 lb Bulk Picture Frame Hooks	(100/box with nails)	Box
11690	75 lb Bulk Picture Frame Hooks	(100/box with nails)	Box



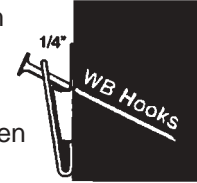
Bulk Bag Hooks			
11710	10 lb Bulk Picture Frame Hooks	(1000/box with nails)	Box
11720	20 lb Bulk Picture Frame Hooks	(1000/box with nails)	Box
11730	30 lb Bulk Picture Frame Hooks	(1000/box with nails)	Box
11750	50 lb Bulk Picture Frame Hooks	(1000/box with nails)	Box



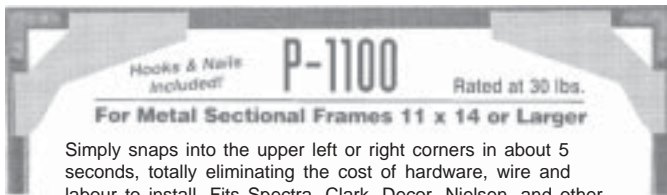
WallBuddies: Heavy Duty Frame Hanger System

Stock #	Description	Quantity
---------	-------------	----------

The **WALLBUDDIE** is an excellent picture frame hanging system for wood or metal frames. It offers added stability and keeps the art work *a/ways* level and flush against the wall. There are two types for metal extrusion frames and one type, in two sizes, for wood frames. In addition, each pair of hangers comes complete with two unique wall hangers, nails and instructions for the framer to fasten to the back of the frame.



WALLBUDDIES help increase your store's profit margin. They are easy to install and strengthen the corners of heavy frames such as mirrors and oversized framed art. They eliminate the possibility of broken wire and product liability problems. For larger frames above 50 pounds we recommend you use a drywall expansion hanger rather than a hook.



13110 **#P-1100 WALLBUDDIE**
- snap in style of impact resistant plastic. Ideal for reselling for customer's own installation. (10/package) Package

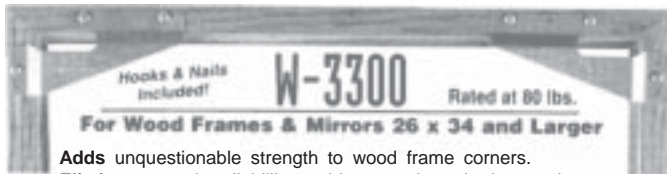
Simply snaps into the upper left or right corners in about 5 seconds, totally eliminating the cost of hardware, wire and labour to install. Fits Spectra, Clark, Decor, Nielsen, and other similar mouldings



13200 **M-2200 WALLBUDDIE**
- hanger for all aluminum moulding frames. Bulk pack. (25/package) Package

Simply slides in under the tapped L corner, replacing the backing plate, while assembling the frame, totally eliminating the cost of wire, hardware and the labour to install it. Adds extra strength to frame corners while eliminating warped and bowed frames. See photo at bottom. Fits Spectra, Clark, Decor, Nielsen, and other similar mouldings

13210 **M-2200 WALLBUDDIE** - hanger for all aluminum moulding frames. (10/package) Package



13300 **SW3300 WALLBUDDIE** - hanger for large wooden frames 26" x 34" and larger. Bulk pack. (25/package) Package

Adds unquestionable strength to wood frame corners. **Eliminates** product liability problems such as broken and warped and bowed frames while cost pennies more than wire, hardware and labour to install. Can be attached on top of the kraft paper backing.

13310 **SW3300 WALLBUDDIE** - hanger for large wooden frames 26" x 34" and larger. (10/package) Package



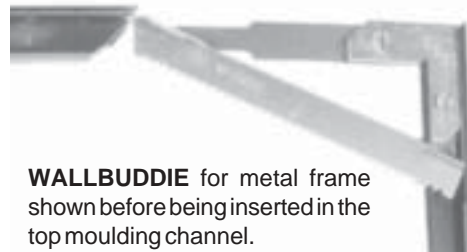
13400 **SW4400 WALLBUDDIE** - hanger for small wooden frames up to 26" x 34" Bulk pack. (25/package) Package

Adds unquestionable strength to wood frame corners. **Eliminates** product liability problems such as broken and warped and bowed frames while cost pennies more than wire, hardware and labour to install. Can be attached on top of the kraft paper backing.

13410 **SW4400 WALLBUDDIE** - hanger for small wooden frames up to 26" x 34". (10/package) Package



WALLBUDDIE for wood frame shown attached to a corner. It can be fastened over the brown kraft paper. Extends 1/4" above paper.



WALLBUDDIE for metal frame shown before being inserted in the top moulding channel.



Hardware & Hanging Security Hanging Systems

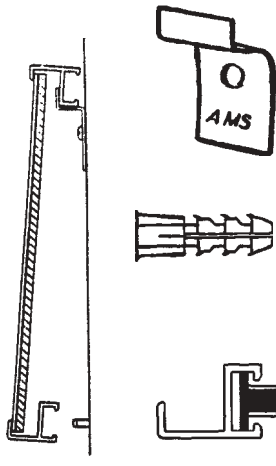
Section C

Page 7

Secure-T Frame Systems

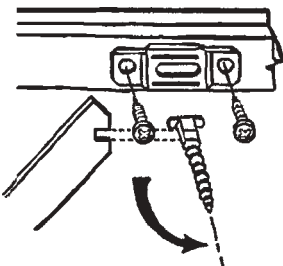
Stock #	Description	Quantity
---------	-------------	----------

Secure-T Systems secure most metal, plastic and wood frames to walls. These Systems will deter casual theft and also prevent pictures from shifting. The Secure-T System contains wall mounting brackets, screws and drywall anchors. They are available in individual packages or bulk boxes for 100 frames.



10390	Secure-T System for Metal Frames - fits CLARK, NIELSEN, DECOR, DESIGNER and SPECTRA aluminum profiles. Requires #10401, Secure-T Wrench to lock system to wall. One complete Secure-T System per polybag. (1 set/bag)	Each
-------	------------------------------------------------------------------------------------------------------------------------------------------------------------------------------------------------------------------------------	------

10391	Secure-T System for Metal Frames - bulk packaging. This is the same as #10390, except packaged bulk. (100 sets/box)	Box
-------	----------------------------------------------------------------------------------------------------------------------------	-----

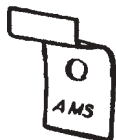


10392	Secure-T System for Wood Frames - the wood system will fasten to any wood frame. Three slotted mounting plates are fastened to the back of each frame. Requires #10401, Secure-T Wrench, to lock system to wall. One complete Secure-T System per polybag. (1 set/bag)	Each
-------	-------------------------------------------------------------------------------------------------------------------------------------------------------------------------------------------------------------------------------------------------------------------------------	------

10393	Secure-T System for Wood Frames - bulk packaging. This is the same as #10392, except all the parts are packaged bulk. (100 sets/box)	Box
-------	---------------------------------------------------------------------------------------------------------------------------------------------	-----



10394	Secure-T Screw - the system may be used with just three or four Secure-T Screws as is often done in places like elevators. (10 /bag)	Bag
-------	---------------------------------------------------------------------------------------------------------------------------------------------	-----



10395	Hanging Plate for Wood Frames - mounting bracket for securing the top of wood frames to the wall. (100/package)	Package
-------	------------------------------------------------------------------------------------------------------------------------	---------



10396	Slotted Locking Plate for Wood Frames - the Secure-T Screw and slotted Locking Plate are aligned at the bottom of the frame, with the locking plate mounted to the bottom of the wood frame. (100/package)	Package
-------	-------------------------------------------------------------------------------------------------------------------------------------------------------------------------------------------------------------------	---------



10397	Hanging Plate for Metal Frames - mounting bracket for securing the top of metal frames to the wall. (100/package)	Package
-------	--------------------------------------------------------------------------------------------------------------------------	---------




10399	Drill Adaptor - attaches to drill for fast installation of Secure-T Hangers. (1 each)	Each
-------	----------------------------------------------------------------------------------------------	------



10401	Deluxe Secure-T Wrench - a case hardened steel wrench for unlocking the bottom screw of the security system. (1 each)	Each
-------	------------------------------------------------------------------------------------------------------------------------------	------



Wire Crimp Gun

	Stock #	Description	Quantity
	10650	Wire Crimp Gun WC1 - the quickest way to join wire. A must for the volume framer. Rings automatically feed from this air driven gun. Save time, save wire, save money.	Each
	10670	Aluminum Wire Rings WR-1 - used with above Wire Crimp Gun. (13,000 rings/box)	Box

Resale Hangers & Display Products

In just 13" x 32" of display space you can feature the most popular Anchor Wire resale picture hanging products. This starter display assortment contains 120 items with a retail value over \$300.

Features and Benefits

- Compact Size 13" x 32"
- A complete line of hangers that includes: picture hangers, adhesive wallsavers, brick and block hangers, mirror holders, and more.
- These fastest-selling hanger products give you maximum profits with minimum sku's.
- Easy to stock, restock and reorder due to few sku's and utilized display.
- Eye-catching header draws customers to the products they want.
- Requires no display assembly.
- Reorder indicator helps you avoid lost sales due to stockouts.
- Its self-feeding hooks keep products upfront for full visibility.
- Blister bubble clearly shows off products for easier selection.
- Each package includes product description, quantity, recommended hanging weight and other consumer information.
- Each display assortment is shipped complete in one box and is UPC coded.

Special Order. See Section C, Page 9 for individual products available.



This rack is no charge!
Order **Stock No.11599**
containing 120 Assorted Items
plus the free rack.






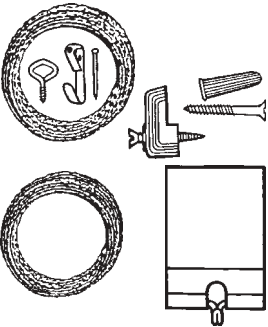
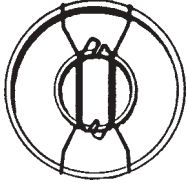

Hardware & Hanging

Resale Hanging Accessories

Section C

Page 9

Resale Picture Hanging Hooks & Accessories

	Stock #	Description	Quantity
	11541	10 lb Picture Frame Hooks - 8 hooks per package in a blister pack. Minimum order 1 box. (10 packages/box)	Box
	11542	20 lb Picture Frame Hooks - 8 hooks per package in a blister pack. Minimum order 1 box. (10 packages/box)	Box
	11543	30 lb Picture Frame Hooks - 6 hooks per package in a blister pack. Minimum order 1 box. (10 packages/box)	Box
	11545	50 lb Picture Frame Hooks - 3 hooks per package in a blister pack. Minimum order 1 box. (10 packages/box)	Box
	11550	Small Hardwall Hanger 1/2" - 5 hooks per package blister pack for use on brick mortar joints, cinder block, concrete, softstone and hardwood. Holds up to 15 pounds. Minimum order 1 box. (10 packages/box)	Box
	11551	Large Hardwall Hangers 1" - 3 hooks per package blister pack for use on brick mortar joints, cinder block, concrete, softstone and hardwood. Holds up to 25 pounds. Minimum order 1 box. (10 packages/box)	Box
	11555	Large Sawtooth Hangers - 5 hangers per package for hanging wood frames on a nail. 2 1/4" wide. Minimum order 1 box. (10 packages/box)	Box
	11556	Small Sawtooth Hangers - 6 hangers per package for hanging wood frames on a nail. 1 1/2" wide. Minimum order 1 box. (10 packages/box)	Box
	11560	Picture Hanging Set - contains 15 feet of wire, 5 picture hooks and 10 eyes. Minimum order 1 box. (10 packages/box)	Box
	11565	Mirror Holder Kit - one set of 4 per package; ideal for placing mirror on a wall or back of door. Minimum order 1 box. (10 packages/box)	Box
	11570	Picture Hanging Wire - 25 feet per package. Minimum order 1 box. (10 packages/box)	Box
	11575	Adhesive Wall Savers - 5 per package blister pack a handy hanger for fastening a light object to the wall. Minimum order 1 box. (10 packages/box)	Box
	11576	Small Plate Hanger - adjusts from 5 1/2" to 8" with a clear soft plastic tip. Minimum order 1 box. (6 packages/box)	Box
	11577	Medium Plate Hanger - adjusts from 8" to 11" with a clear soft plastic tip. Minimum order 1 box. (6 packages/box)	Box
	11578	Large Plate Hanger - adjustable from 11" to 18" with a clear soft plastic tip. Minimum order 1 box. (6 packages/box)	Box
	11593	Wide Moulding Hooks, Brass Plated - Designed to hang off Wooden Picture Hanging Rails that were prominent in older style homes and are now being revived as a design element. Minimum order 1 box. (10 packages/box)	Box
	40450	# 7 Glazier Points - the point can be easily inserted with the use of a slotted screw driver or a flat spatula. It easily inserts into small delicate frames. 100 items per package. Minimum order 1 box. (10 packages/box) See Section F, Page 4 for 25 pound bulk box of #7 Glazier Points.	Box

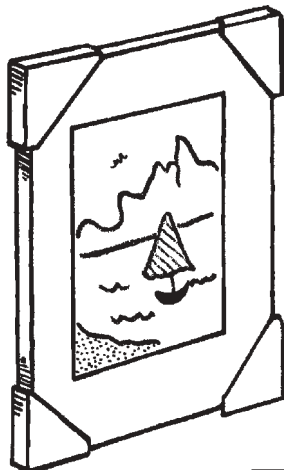


Hardware & Hanging Protective Corners

Section C

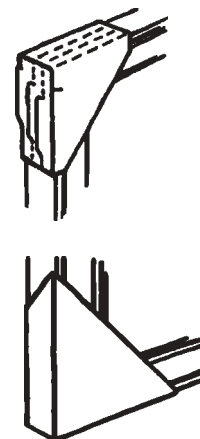
Page 10

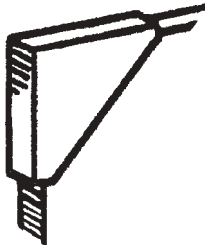
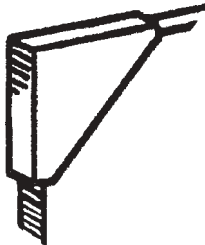
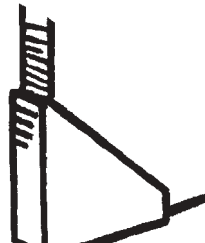
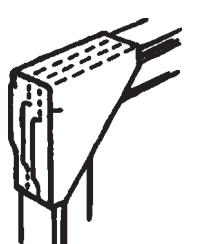
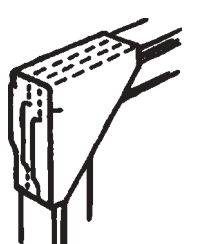
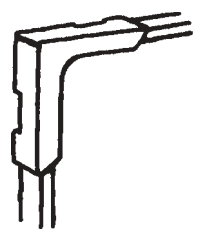
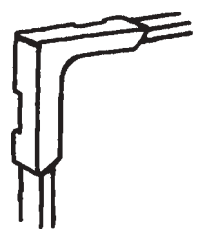
Protective Corrugated Corners



These white protective corrugated corners are self-locking and no tape or staples are required except on the universal for wood frames. They are designed to fit most of the aluminum mouldings including SPECTRA, CLARK, DESIGNER, NIELSEN and DECOR.

Minimum order 20 sheets per type.



Stock #	Description	Corners per Sheet	Sheets per Pallet	Size w" x h"	Depth	Fits Profiles
	10350 186-11R	40	340	2 1/4" x 2 1/4"	3/4"	Spectra 66 & 88 Nielsen 11 Decor D-71 Designer 84 & 85
	10351 186-11	24	340	4" x 4"	3/4"	Spectra 66 & 88 Nielsen 11 Decor D-71 Designer 84 & 85
	10360 431-22	24	340	4" x 4"	1 7/16"	Decor D-72 Nielsen 22 Designer 99
	10365 524-12R	32	340	2 1/4" x 2 1/4"	1"	Spectra 44 Designer 41 Nielsen 12 & 15 Decor D-73 & D-74
	10366 524-12	24	340	4" x 4"	1"	Spectra 44 Designer 41 Nielsen 12 & 15 Decor D-73 & D-74
	10370 Adjust-1	24	340	3 3/4" x 3 3/4"	1/2" 1" 1 7/16"	fits a wide variety of moulding including some wood profiles
	10375 Curved Face	48	340	2 1/4" x 2 1/4"	1"	Spectra 66 & 88 Nielsen 11 Designer 84 & 85 Decor D-71



Hardware & Hanging Object Mounting Systems

Attach-EZ Mounting Products

Stock # Description Quantity



Attach-EZ

Attach-EZ is the quick and easy way to mount fabric articles. Time efficient and hassle-free, it allows you to quickly and accurately complete fabric and garment framing jobs in a fraction of the time it takes to sew. Choose from the Microtach kit, the Fine Fabric kit or the Complete kit. Individual kits include a fastening tool and a set of fasteners and needles. The Complete kit includes both fastening tools and a full set of fasteners and needles. Kits come with detailed instructions and helpful framing tips.



40705	Attach-EZ Complete Kit - #09-400	Each
40710	Fine Fabric Kit - #09-420	Each
40715	Microtach Kit - #09-430	Each
40716	Fine Fabric Hand Tool - #09-431	Each
40717	Microtach Hand Tool - #09-432	Each
40720	Fine Fabric Needles - #09-440 (2/package)	Package
40721	Microtach Needles - #09-441 (2/package)	Package
40722	1/2" Fine Fabric T-End Fasteners - #09-442 (2000/package)	Package
40723	Microtach T-End Fasteners - #09-443 (2040/package)	Package
40724	1/4" Fine Fabric T-End Fasteners - #09-444 (2000/package)	Package
40725	7/32" Microtach T-End Fasteners - #09-445 (1080/package)	Package

EZ-Tach

The best way to mount 3-dimensional objects. The EZ-Tach Mounting System provides a fast and efficient, totally reversible method for mounting most 3-dimensional objects. This system differs from the Attach-EZ system by enabling you to mount those objects that cannot be pierced by a nylon fastener such as books, pens, jewelry, medals. EZ-Tach can be used on virtually any backing board used in framing. No sewing or special tool is necessary, all you need is a common awl to use this system. The white components can be easily coloured with pens or paints. EZ-Tach is the perfect addition to the Attach-EZ Fabric Mounting System.

40730	EZ-Tach Complete Kit - #09-501	Each
	The kit contains: 25 - 7.5" string 50 - 4.7" string 25 - 9" polypropylene 25 - 5" polypropylene 75 - 3" polypropylene 200 quantity washer spool	
40731	7.5" Polyester String Fasteners/Washers - #09-502	Package
	(50/package)	
40732	4.7" Polyester String Fasteners/Washers - #09-503	Package
	(50/package)	
40733	9" Polypropylene Fasteners/Washers - #09-504	Package
	(50/package)	
40734	5" Polypropylene Fasteners/Washers - #09-505	Package
	(50/package)	
40735	3" Polypropylene Fasteners/Washers - #09-506	Package
	(50/package)	






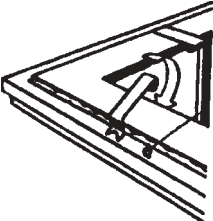



Hardware & Hanging Accessories

Section C

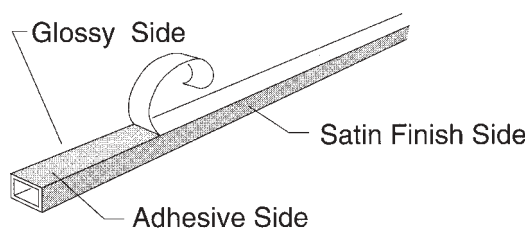
Page 12

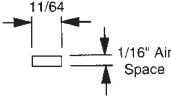
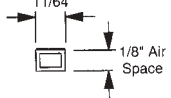
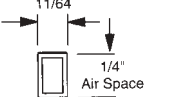
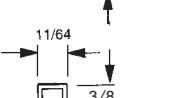

Stretched Canvas Springs, Clips & Turnbuttons

Stock #	Description	Quantity
 10330	Stretcher Canvas Spring Clips 1/4" x 2"	(100/bag) Bag
 10331	Stretcher Canvas Spring Clips 1/2" x 3"	(100/bag) Bag
 10333	Setback Stretcher Clips 1/8"	(100/bag) Bag
10340	Setback Stretcher Clips 1/4"	(100/bag) Bag
10342	Setback Stretcher Clips 3/8"	(100/bag) Bag
10332	Setback Stretcher Clips 1/2"	(100/bag) Bag
10344	Setback Stretcher Clips 3/4"	(100/bag) Bag
 10334	Flip-Clip Stretcher Bar Clip - designed to easily and quickly fasten a stretched canvas into a frame. Fits normal stretcher bars 1 1/2" width.	(100/bag) Bag
 10336	Turnbutton - nickel plated. 1"	(500/bag) Bag
10337	Turnbutton - nickel plated. 3/4"	(500/bag) Bag

EconoSpace

Econospace is quick and easy to apply. It cuts easily and cleanly with razor or shears. Works in both wood and metal frames. Simply peel and stick to glass. Recommended for small frames.



 12245	Econospace Trial Assortment - a variety of colours, lengths and sizes.	(100 feet total)	Kit
 12200	Econospace 1/16"	Clear	(100' bundle 20 pc x 5')
12205	Econospace 1/16"	Black	(100' bundle 20 pc x 5')
 12210	Econospace 1/8"	Clear	(100' bundle 20 pc x 5')
12220	Econospace 1/8"	Black	(100' bundle 20 pc x 5')
 12230	Econospace 1/4"	Clear	(60' bundle 12 pc x 5')
12240	Econospace 1/4"	Black	(60' bundle 12 pc x 5')
 12242	Econospace 3/8"	Clear	(60' bundle 12 pc x 5')
12244	Econospace 3/8"	Black	(60' bundle 12 pc x 5')





Hardware & Hanging Accessories

FrameSpace

Stock #	Description	Quantity
---------	-------------	----------

FrameSpace comes in 9 sizes from 1/8" to 3/4" airspace. It is recommended for larger frames because it mechanically attaches to the glass and protects glass from chipping in metal frames. It is acid free with no plasticizers and will not harm artwork. Works in wood or metal frames.

*Non-stock items are marked * Special Order.*


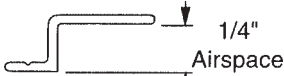
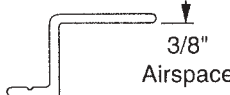

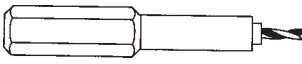
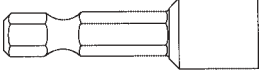
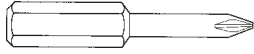
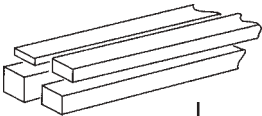
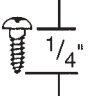
Note: True Vu Glass is 2.5mm thick and Sandell Glass is 2.0mm thick. Imported glass from Asia is usually 2mm thick. See Page C-18 for glass thickness product knowledge.

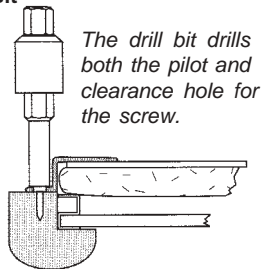
	12199	Framespace Trial Pack - variety of colours, lengths and sizes, 2.5mm glass (100 ft total)	Kit
	12129	Framespace Trial Pack - variety of colours, lengths and sizes, 2mm glass (100 ft total)	
	12130	Framespace FS-1 Clear - fits 2.5mm glass	(100 ft bundle 20 pc x 5 ft) Bundle
	*12132	* Framespace FS-1 Black - fits 2.5mm glass	(100 ft bundle 20 pc x 5 ft)* Bundle
	*12135	* Framespace FS-1 White - fits 2.5mm glass	(100 ft bundle 20 pc x 5 ft)* Bundle
		Note: this is reversible and fits 2.5mm glass on one side and 3.5mm acrylic on the other side. * Special Order.	
	12180	Framespace FS-2 Clear - fits 2mm glass	(100 ft bundle 20 pc x 5 ft) Bundle
	*12182	* Framespace FS-2 Black - fits 2mm glass	(100 ft bundle 20 pc x 5 ft)* Bundle
	*12185	* Framespace FS-2 White - fits 2mm glass	(100 ft bundle 20 pc x 5 ft)* Bundle
		Note: this is reversible and fits 2 mm glass on one side and 3 mm acrylic on the other side. * Special Order.	
	12140	Framespace FS-3 Clear - fits 2.5mm glass	(60 ft bundle 12 pc x 5 ft) Bundle
	12145	Framespace FS-3 Black - fits 2.5mm glass	(60 ft bundle 12 pc x 5 ft) Bundle
	12150	Framespace FS-3 2mm Clear - fits 2mm glass	(60 ft bundle 12 pc x 5 ft) Bundle
	12155	Framespace FS-3 2mm Black - fits 2mm glass	(60 ft bundle 12 pc x 5 ft) Bundle
	*12158	* Framespace FS-3 2mm White - fits 2mm glass	(60 ft bundle 12 pc x 5 ft)* Bundle
		* Special Order.	
	*12160	* Framespace FS-4 Clear - fits 2.5mm glass	(60 ft bundle 12 pc x 5 ft)* Bundle
		* Special Order.	
	*12165	* Framespace FS-5 Clear - fits 2.5mm glass	(60 ft bundle 12 pc x 5 ft)* Bundle
		* Special Order.	
	12170	Framespace FS-6 Clear	(100 ft bundle 20 pc x 5 ft) Bundle
		Note: this is reversible and fits 2mm glass on one side and 2.5mm glass on the other side.	
	12198	Framespace FS 1/4 Double Clear - fits 2.5mm glass	(30 ft bundle 6 pc x 5 ft) Bundle
	12175	Framespace FS-9 Clear - fits 2.5mm glass	(60 ft bundle 12 pc x 5 ft) Bundle



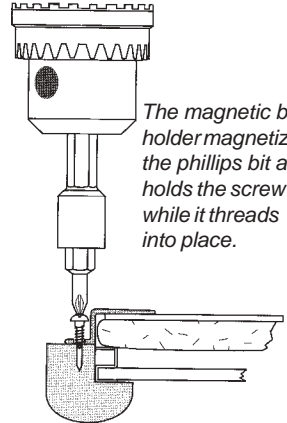
Hardware & Hanging Accessories

RabbitSpace

	Stock #	Description	Quantity
	12110	RS 1/8" - 7 pieces, 5 feet long with 150 black screws. (35 ft bundle)	Bundle
	12115	RS 1/4" - 7 pieces, 5 feet long with 150 black screws. (35 ft bundle)	Bundle
	12120	RS 3/8" - 7 pieces, 5 feet long with 150 black screws. (35 ft bundle)	Bundle
	12125	RS 1/2" - 7 pieces, 5 feet long with 150 black screws. (35 ft bundle)	Bundle
	12100	Rabbetspace Assortment Starter Kit Includes everything you need: 2 - 5 foot pieces of the four sizes of Rabbetspace, 200 screws, special Rabbetspace drill bit, special Long-Reach #1 Phillips bit, magnetic 1/4" Hex Drive bit and Drill holder, 4 wood spacer strips.	Kit
	12106	Special Rabbetspace Drill Bit	
	12107	Magnetic Hex Drive	
	12108	#1 Phillips Bit	
	12105	Wood Spacer Strips - supports the RabbetSpace during cutting.	
	12109	1/4" Wood Screws (100/package)	

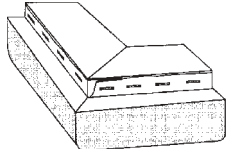


The drill bit drills both the pilot and clearance hole for the screw.

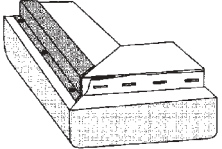


The magnetic bit holder magnetizes the Phillips bit and holds the screw while it threads into place.

The Problem ...
Oil painting won't fit and shows terribly from the side ...

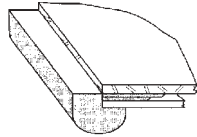


The Solution!
RABBETSPACE

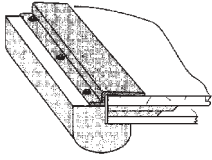


Secures a stretched canvas in a shallow frame and covers the edge neatly in just minutes.

The Problem ...
Too much art for the frame ...

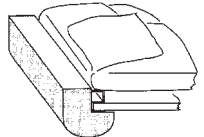


The Solution!
RABBETSPACE

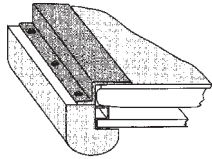


Secure the art and finish off the back of the frame quickly, easily, and neatly.

The Problem ...
Needle art and spacer won't fit in that cute little frame ...




The Solution!
RABBETSPACE



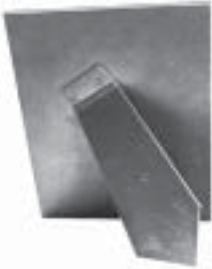
Finish off the unsightly back of stretched needle art with a piece of matboard. Quick, easy, looks professional.




EaselMates

Stock #	Description	Quantity
 <p>Two types of EaselMates designed to fit Wood frames or both Wood and Metal frames, up to 11" x 14". The EaselMate installs quickly and adjusts to any angle. Easily removable, extremely sturdy and very economical.</p>		
10240	EaselMate - Wood/Metal	(12 items/pkge) Package
10232	EaselMate - Wood Only	(12 items/pkge) Package
10234	EaselMate - Wood Only	(24 items/pkge) Package
10236	EaselMate - Wood Only - * Special Order.	(48 items/pkge) Package
10238	EaselMate - Wood Only - * Special Order.	(100 items/pkge) Package

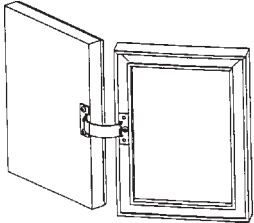

Easels

 <p>Made of 3 ply Philippine Mahogany wood with a black vinyl back. Available in three convenient sizes. Minimum order 12 per size.</p>		
10270	Easel 4" x 6"	Each
10275	Easel 5" x 7"	Each
10280	Easel 8" x 10"	Each

Adjustable Easels

 <p>An adjustable easel back with two die cut hangers. Adjusts to both small and large width mouldings. Minimum order of 12 per size.</p>		
10290	Easel 4" x 6"	Each
10292	Easel 5" x 7"	Each
10294	Easel 6" x 8"	Each
10296	Easel 8" x 10"	Each
10298	Easel 11" x 14" - * Special Order.	Each

Frame Supports and Connectors

		
10250	Frame Connector - an easy device that connects wood to wood, metal to metal and/or metal to wood picture frames without the complication of a hinge. Connect 2 or more frames together. Frames can be adjusted forward, backward or to any angle. Easy to install.	Box (12/box)
10252	Frame Connector Wood Only - same as above but connects wood to wood.	Box (12/box)
		
10248	Frame Tite/Frame Strap Kit - contains a selection of FrameTite and Frame Strap products. Kit contains 42 feet of Frame Tite Moulding, 6 sets of Frame Tite hardware and 4 sets of FrameStrap complete with hardware. Frame Tite is a rigid channel that eliminates any bowing on unsupported frames. Adjustable and eliminates warped mouldings. Fits both wood and metal frames. Frame Strap keeps medium to large frames rigid and prevents bowing between glass and frame. Designed for both wood and metal frames.	Kit

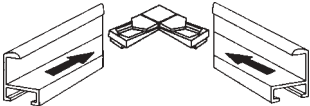
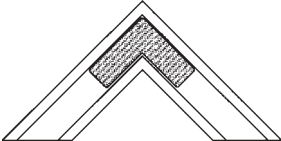


Hardware & Hanging Display Systems

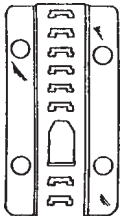
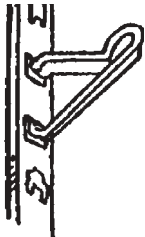
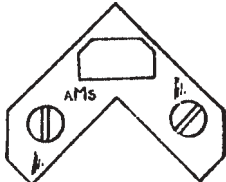

Section C

Page 16

Fastware & Hookcorners System

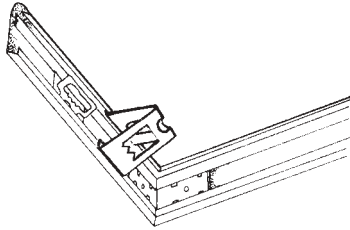
	Stock #	Description	Quantity
	10418	Fastware Joining System - designed primarily for use in the mass production of corner samples and framed art. This plastic "angle" requires no screws for tightening. It can simply be locked and unlocked into place using needle nose pliers. Combined with Hook Chevrons, this is an easy, efficient system that will display your corner samples professionally. Fastware has a raised "platform" that comes almost flush with the back of the frame channel. This feature allows for the adhesion of hook chevrons that fit the platform and let the hooks fully engage the loop material on the wall. (100/bag)	Bag
	10416	Velcro Hook Chevrons - die cut pressure sensitive adhesive hook chevrons fit the back of the Fastware Joining System. The rounded corners don't peel up like pointed corners. Chevrons are ideal for wood frame corner samples. Approximately 3/8" wide by 1 3/8" long. We suggest you seal wood moulding before attaching chevrons. (100/bag)	Bag

AMS Corner Sample Display System






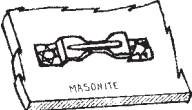

	10410	Wall Display Strip - this chrome plated strip can be used for displaying wood or metal moulding. The snap in pegs are adjustable every 1/4" and display up to 32 per length. 4 ft long	Each
	10411	Snap In Display Pegs - a chrome plated snap that easily inserts into the Wall Display Strip. (50/bag)	Bag
	10412	Tapped Display Angles - this special tapped angle has a cut out in the back to permit it to hang on the Snap In Display Peg. Is used without a backing plate. (50/bag)	Bag
	10413	Plated Screws - a plated screw for attaching the Wall Display Strip to your display wall. (24/bag)	Bag
	10414	Bracket for Wood Samples - this is easily glued or tacked to the back of your wood moulding samples. We recommend using a clear silicone glue/sealant. (50/bag)	Bag



Hardware & Hanging Backload Frame Hardware



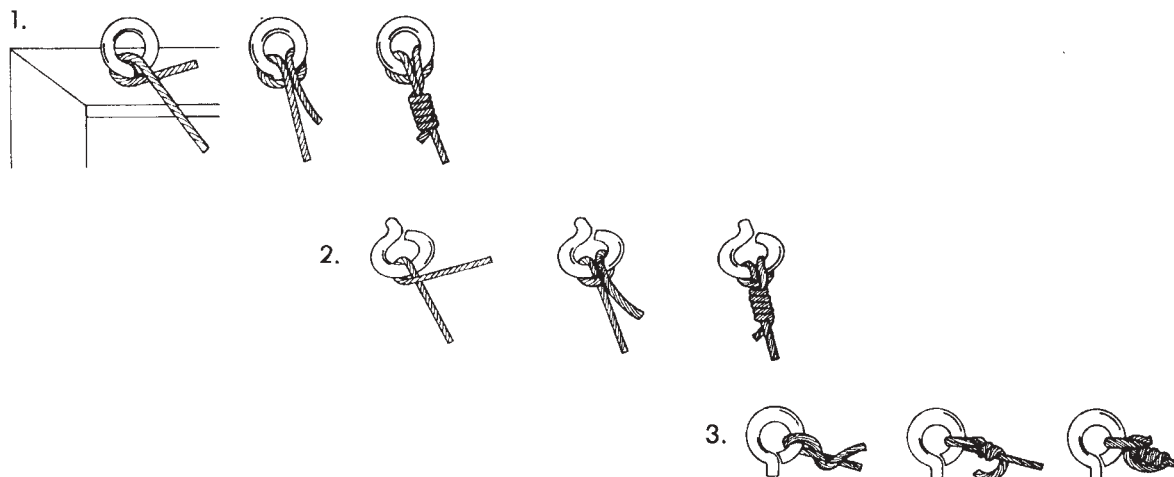
We stock the hardware for assembling backloading frames using either a manual foot operated crimper or a pneumatic crimping machine. Hardware is sold and packaged 1000/bag, but we will quote you for volume purchases by the barrel. Depending on the item, barrel quantities are usually 10,000, 20,000 or 40,000.

Stock #	Description	Quantity
10500	 Crimping Angles 5/8" - 16 gauge standard crimping angles for use with the AMS Impressor foot operated crimping machine. Four notches per leg for superior holding. (1000/bag)	Bag
10503	Crimping Angles Plated .595" - for Neilsen Backloader profiles. (10,000/barrel)	Barrel
10510*	 *Backload Corner Spring Retainers, Large - .022" thick, "Classic" type, used diagonally on the corners or on the sides for both metal or wood frames. * Special Order. (1000/bag)	Bag
10525	 Backload Corner Spring Retainers, Small - used on the corners or sides; shorter for smaller wood or metal frames. (1000/bag)	Bag
10535	 Friction Wire Hanger - attaches to backings so that wire can be used. Fits 3mm backing. (1000/bag) new	Bag
10540	 V-Clip - a new plated clip with a sawtooth hanger hole. The design of the clip prevents it from springing into the air when being inserted or removed. It can also be used with the V-Clip staple to hold the backing in place. (1000/bag)	Bag
10542	 Staples for V-Clip - for use with masonite, chipboard and corrugated cardboard to hold the V-Clip in place. (1000/bag)	Bag
10545	Magnetic Staple Holder - holds the staple for the V-clip in place while it is pressed into masonite, chipboard or corrugated cardboard.	Each
10620	 Foot Operated Manual Crimping Backloader Machine - Model CM-3 framejoining workstation. It is an efficient crimping machine for joining backloader frames. It comes complete with a tubular steel stand with the crimper inset into a wood composite top. The table top is angled at 45 degrees for ease and speed in joining the frames. It is the same machine as the pneumatic operated one, but without the pneumatic foot pedal. Comes partially assembled for easier shipping.	Each
10625	AMS Pneumatic Crimper complete with 5/8" or .595" die - a pneumatic crimping machine for production or volume joining of backload frames. It comes complete with a tubular steel stand with the crimper inset into a wood composite top. The table top is angled at 45° for ease and speed in joining the frames. Comes partially assembled for easier shipping.	Each

How To Tie Off Picture Framing Wire

There is a lot riding on the wire you choose when you frame your customers' valued artwork. You use nothing but the best framing materials and you take pride in the craftsmanship that goes into every frame you sell.

It all hangs on how well you tie-off the wire. A survey of framers across the country reveals that many different tie-off methods are used. Some are good, some not so good. We have illustrated three of the best methods regardless of the type of wire used. The criteria is that it should be easy to tie, strong, and look presentable.



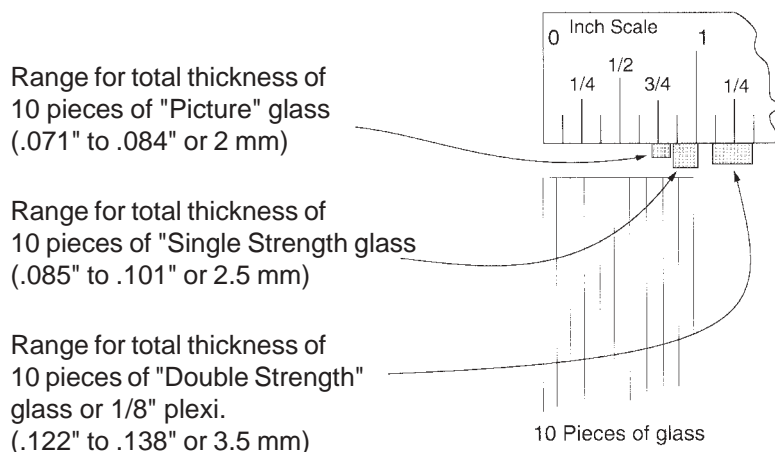
Glass Thicknesses and Rabbet Depth Requirements

What thickness is your glass?

In order to use the correct Framespace, the following drawing will help determine the thickness of your glass.

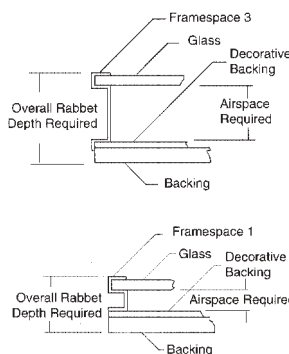
To determine which thickness glass you are using, stack up 10 pieces, measure the total thickness, and compare with the scale below.

Example: The total thickness of 10 pieces of "Single Strength" glass may measure anywhere between approximately 7/8" and 1".



Rabbet Depth Requirements

Remember, when you are doing spacer framing you must have depth in the rabbet for the glass, spacer, and all of the backing materials. If you don't have the depth necessary, try **Rabbetspace**.





Swiping Glass

The following article is reprinted with the permission of Greg Fremsted, of FRAME TEK Incorporated, and has appeared in numerous framing publications.

Who Swipes Glass?

I am not talking about a way of getting glass cheap or even about thievery in your back room. I am talking about one of the easiest, most basic, and important steps overlooked by the majority of framers today.

"Swipe" is a term borrowed from the glass industry meaning to slightly bevel the sharp edges of a piece of glass. You can call it "bevel," "grind," "sand," or anything you want, what I call it is "Preventive Medicine."

Let's take a look at some of the reasons for swiping every piece of glass you handle:

- You won't cut yourself as often
- You will take a lot less time to clean the glass because you won't have to be so careful
- Swiped glass won't shred your glass cleaning rag and make rag dust right where you are trying to clean
- You will probably do a much better job cleaning the glass near the edges
- Swiped glass won't scrape little fibres of wood, gold leaf, or paint from the rabbet of your wood frames
- Swiped glass won't chip and break as often in metal frames
- Framespace slips onto swiped glass very easily
- Frameless frames won't be so lethal and will look better
- Swiped glass won't scrape ink off your art. (Remember the poster that got scratched by the sharp edge of the glass? You spent hours trying to touch it up with water colours and a felt tip pen and it never really did look right, even after you used matte spray).

We've all cut ourselves on sharp glass and we've all spent a great deal of time chasing dust and other stuff in frames. There is a better and safer way.

So just what does it take to swipe a piece of glass?

We recommend using a carborundum whetstone, a diamond or tungsten grit seamer, or a hand seamer (all readily available from industry suppliers or hardware stores). Don't make a big deal out of it. Just two or three quick, light strokes are all it takes to get rid of that terribly sharp edge. It should take you less than 15 seconds to swipe a 16 x 20 piece of glass. This is less time than it takes to open up a frame to chase dust. And, look at all the other benefits you get!

Also.....

Sometimes, at the very corner of your glass, there may be a little bump or point of glass sticking out. You must break off this point before you continue framing.

If you think back, you'll remember that most of the time the glass breaks in either a wood or a metal frame, the break starts at the corner. This isn't just a coincidence.

The inside corners of both a wood and metal frame are exactly 90 degrees. The inside corner of a wood frame may even have a little glob of hard glue. This doesn't leave room for the little point you left on the corner of the glass. Something has to give.

Pressure with diamond points, or a good rap to the edge of the frame is sometimes all it takes to break the glass. At the least, it may introduce a bit of glass dust into the frame cavity.

We recommend breaking off just the tip of each corner with a pair of glass nipping pliers before you swipe the glass. It takes a whole lot less time than replacing and refitting a new piece of glass.

Remember to wear safety glasses when breaking glass. You need good eyes to be a good framer.